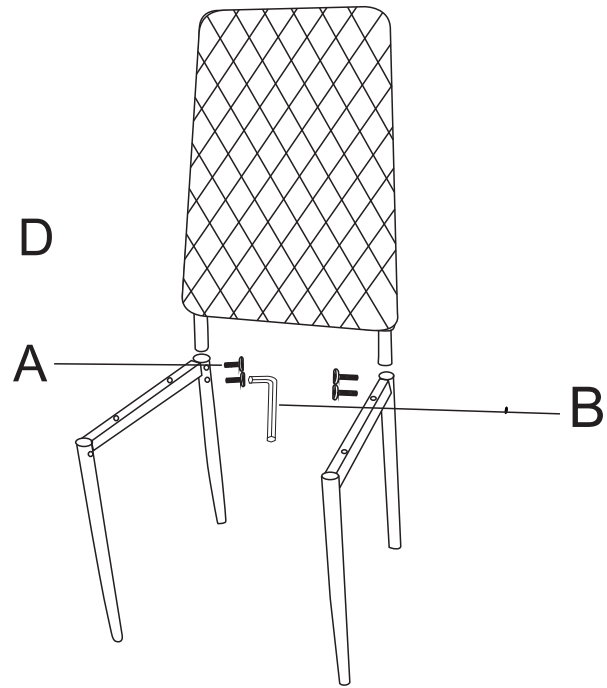
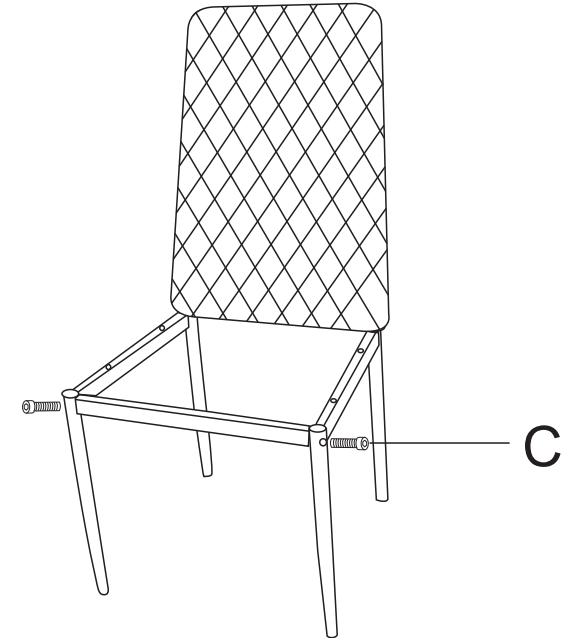


31-13-02

1.



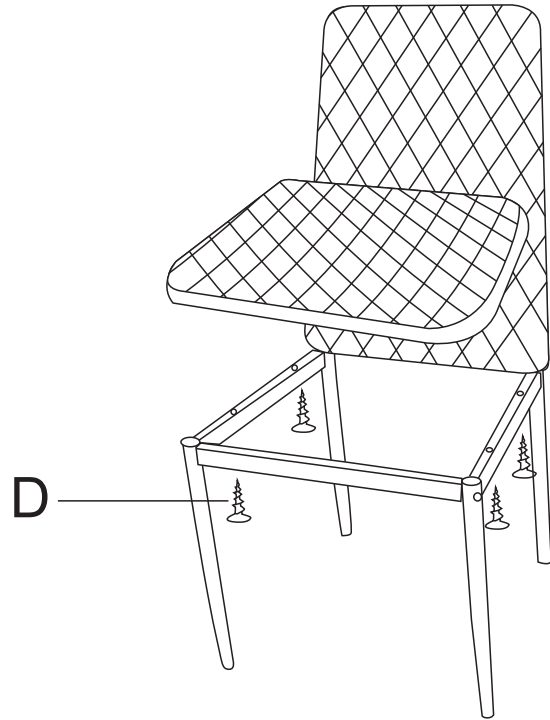
2.



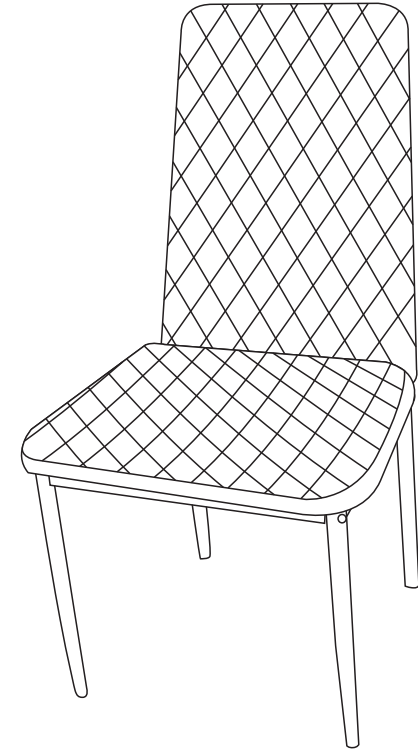
Assembly Instructions

31-13-02

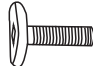


3.



4.



Assembly Instructions

	x4		x1		x2		x4
A		B		C		D	