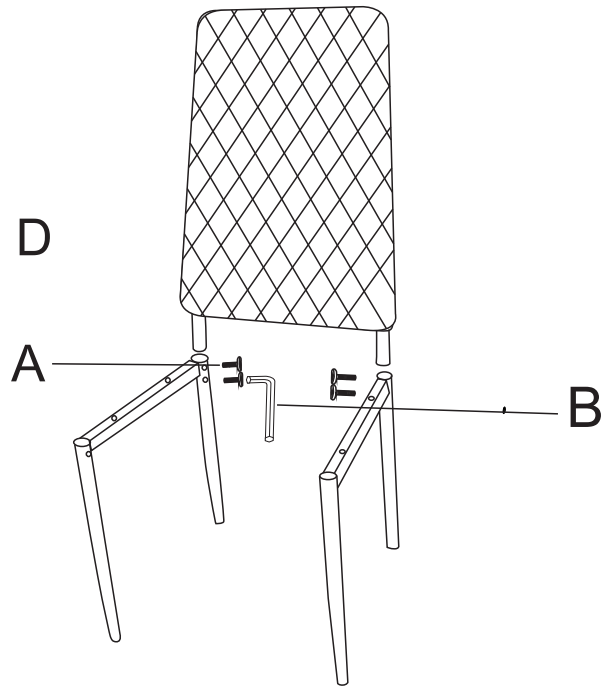
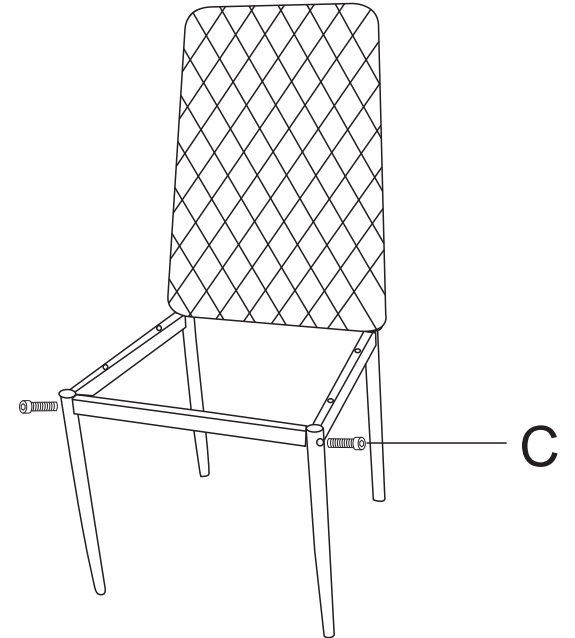


31-15-01

1.



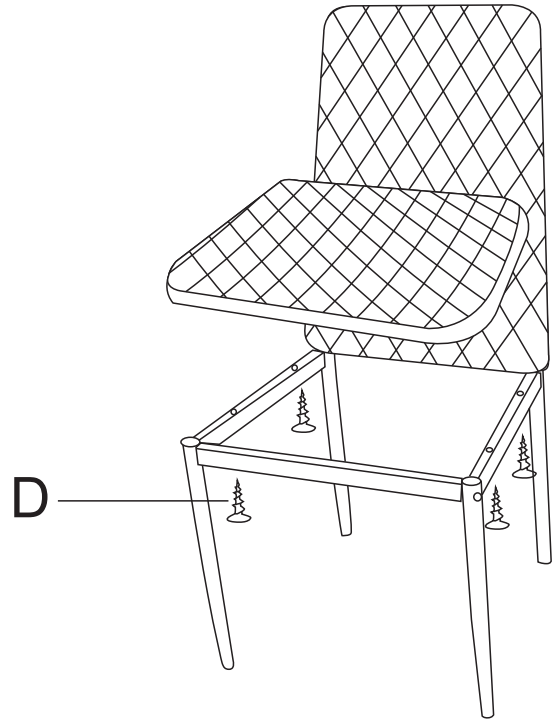
2.



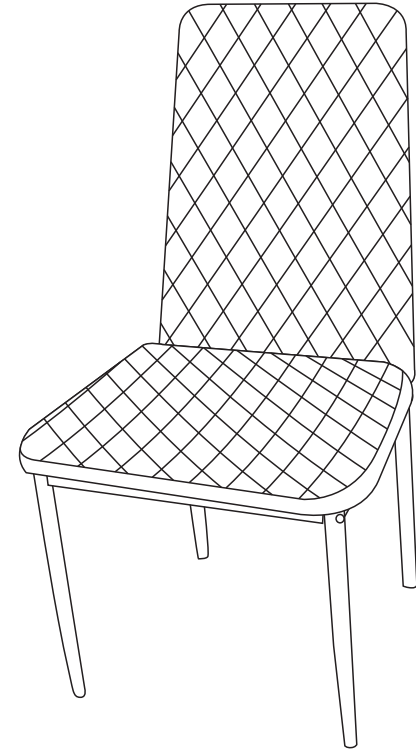
Assembly Instructions

31-15-01

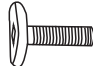



3.



4.



Assembly Instructions

A	 x4	B	 x1	C	 x2	D	 x4
---	--	---	--	---	--	---	--