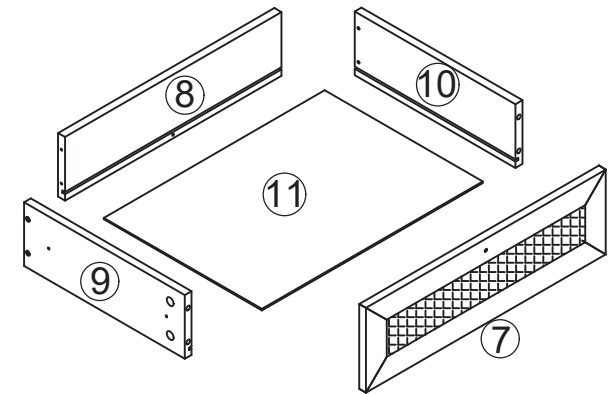
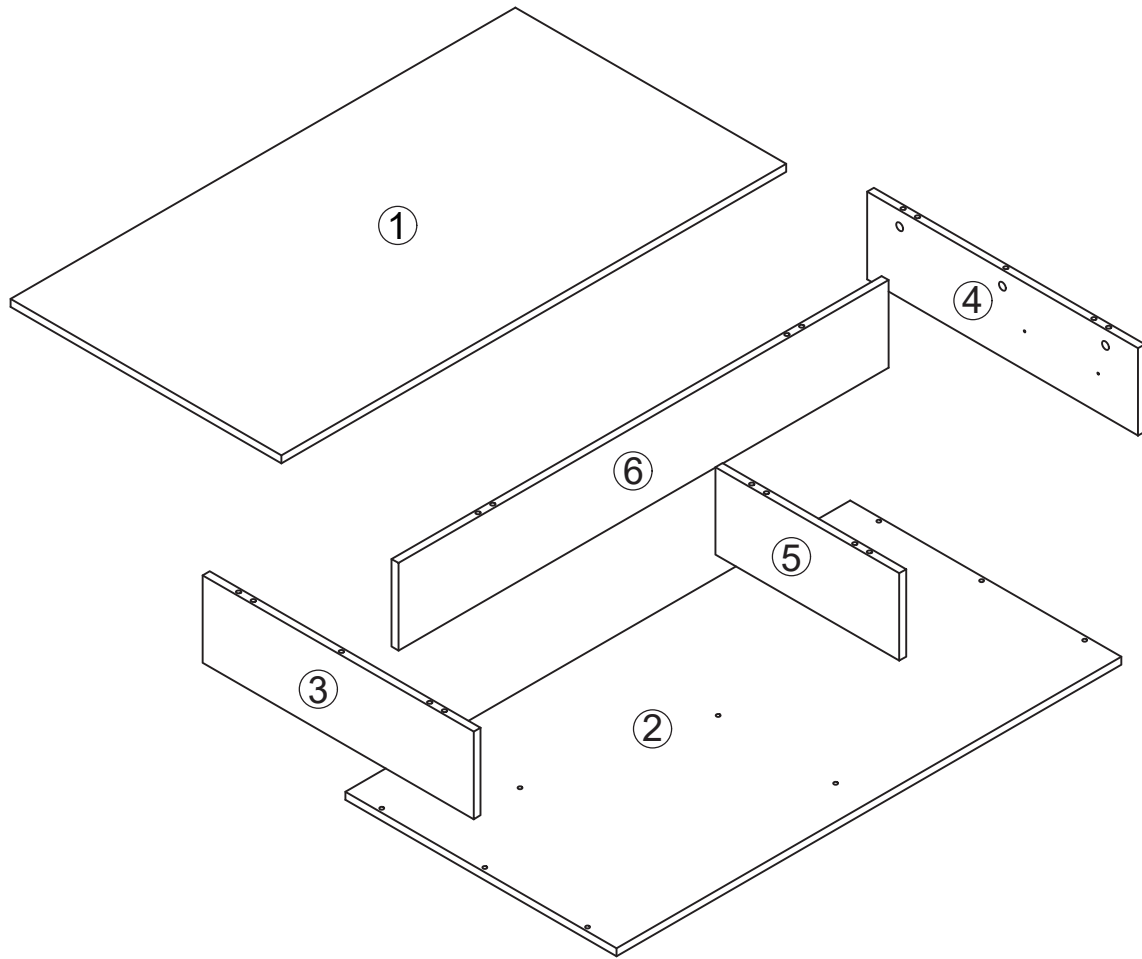
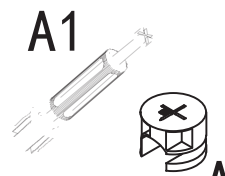
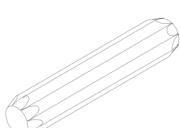
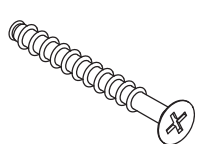


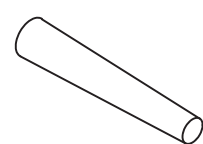
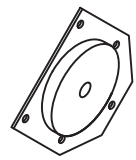


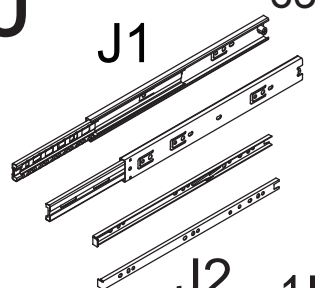
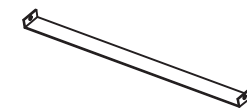


# Assembly Instructions

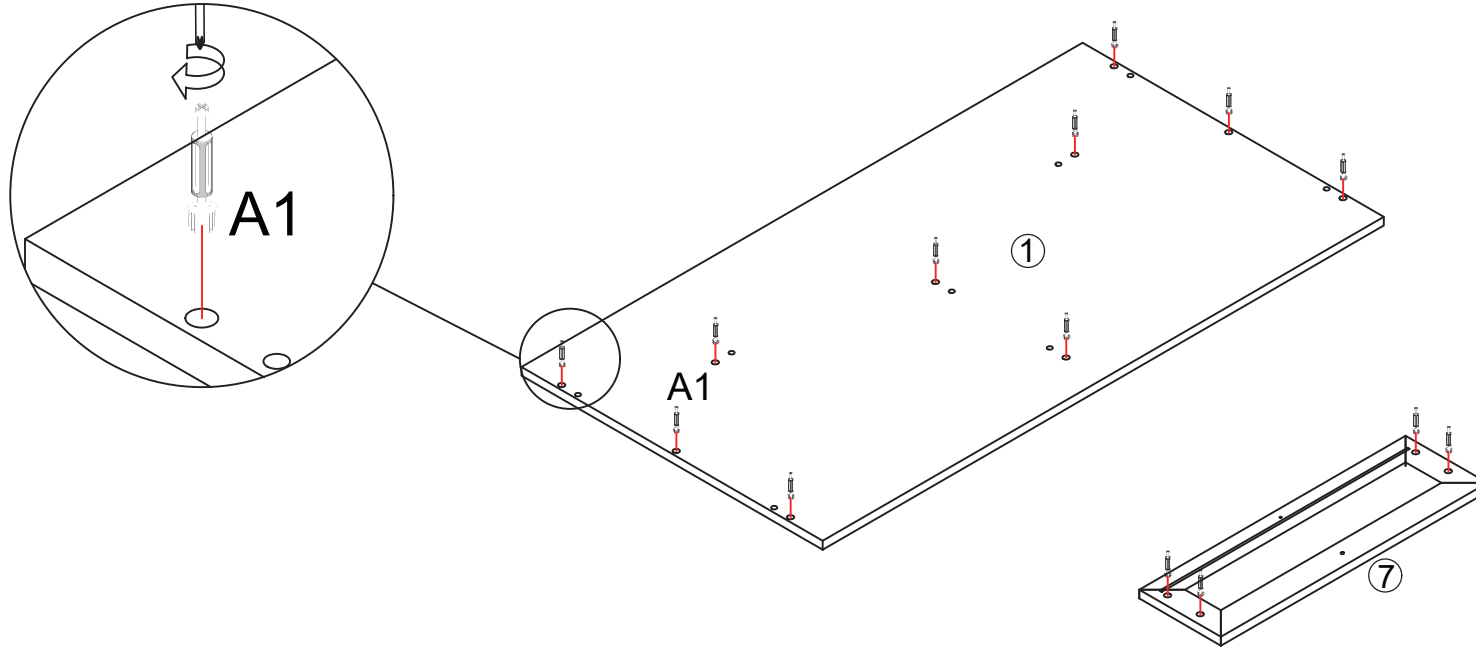


# Assembly Instructions

<p><b>A</b></p>  <p>A1 A2</p> <p>14PCS</p>	<p><b>B</b></p> <p>8*40</p>  <p>8PCS</p>	<p><b>C</b></p> <p>7*50</p>  <p>10PCS</p>	<p><b>D</b></p> <p>3.5*14</p>  <p>30PCS</p>	<p><b>E</b></p> <p>3.5*35</p>  <p>4PCS</p>
<p><b>F</b></p> <p>200mm</p>  <p>4PCS</p>	<p><b>G</b></p>  <p>4PCS</p>	<p><b>H</b></p>  <p>1PCS</p>	<p><b>I</b></p> <p>4*20</p>  <p>1PCS</p>	<p><b>J</b></p> <p>350mm</p>  <p>J1 J2</p> <p>1PCS</p>
<p><b>K</b></p> <p>334mm</p>  <p>1PCS</p>				

# Assembly Instructions

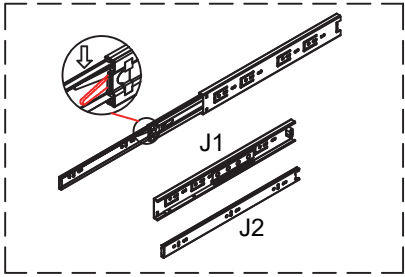
1



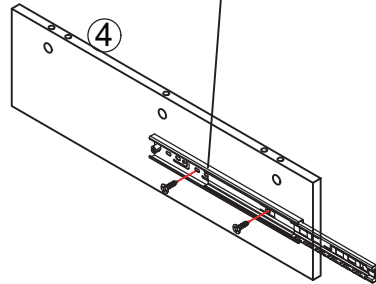
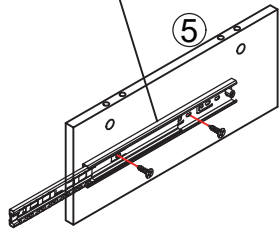
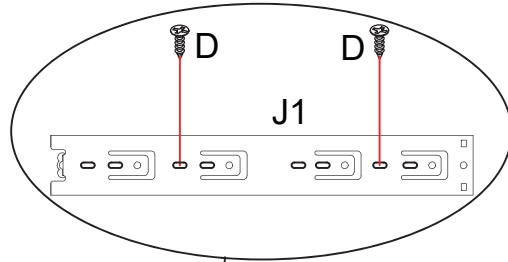
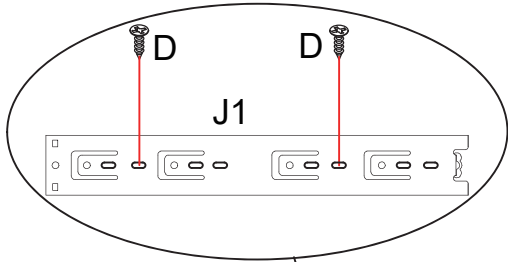
A1\*14

# Assembly Instructions

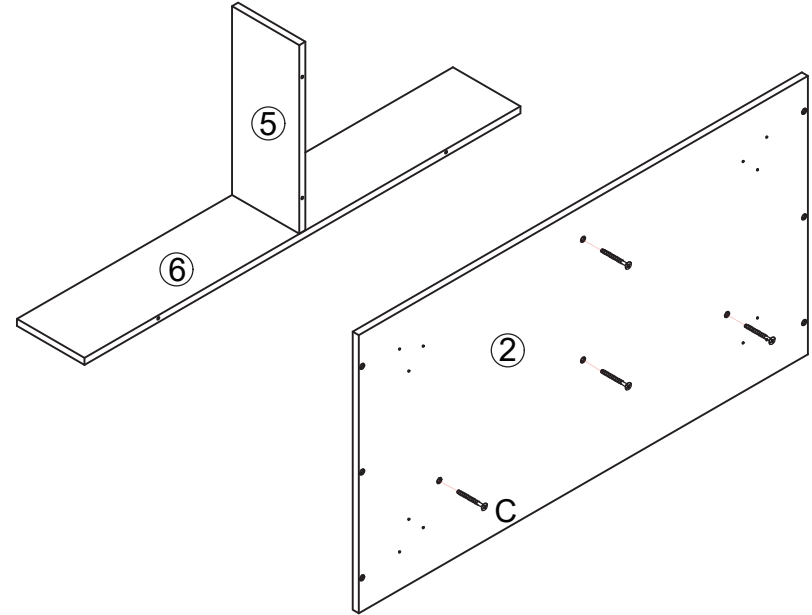
2



The guide rail is undivided into left and right sides.



3



D\*4



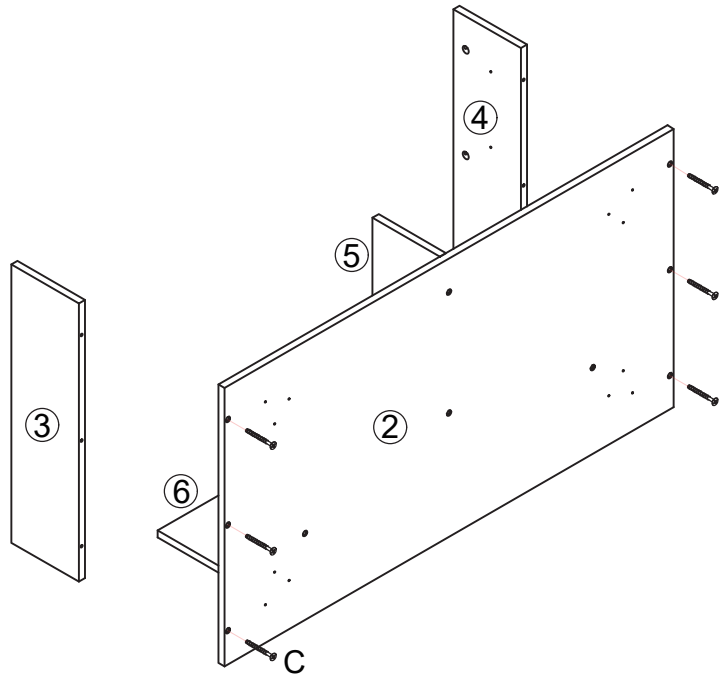
J1\*1



C\*4

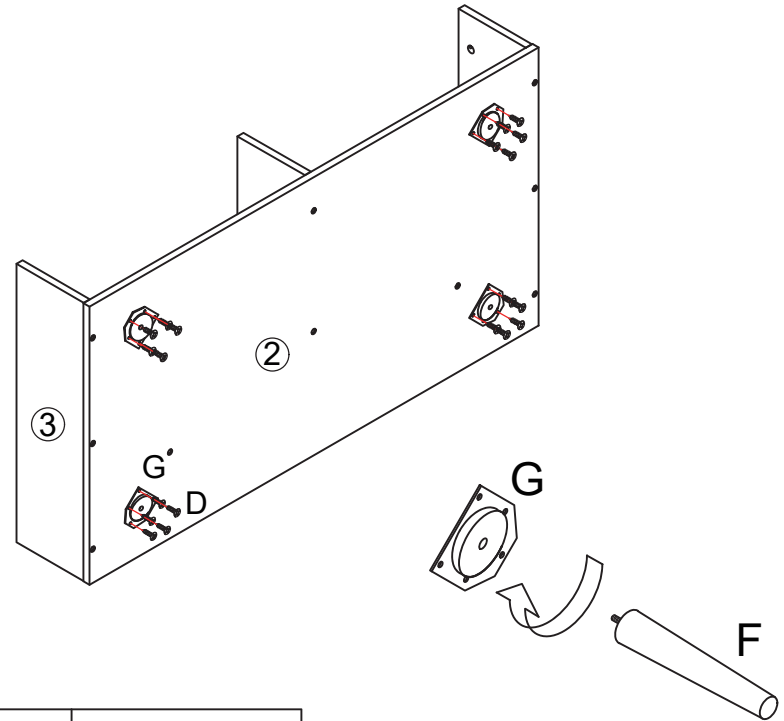
# Assembly Instructions




4



	C*6
--	-----

5

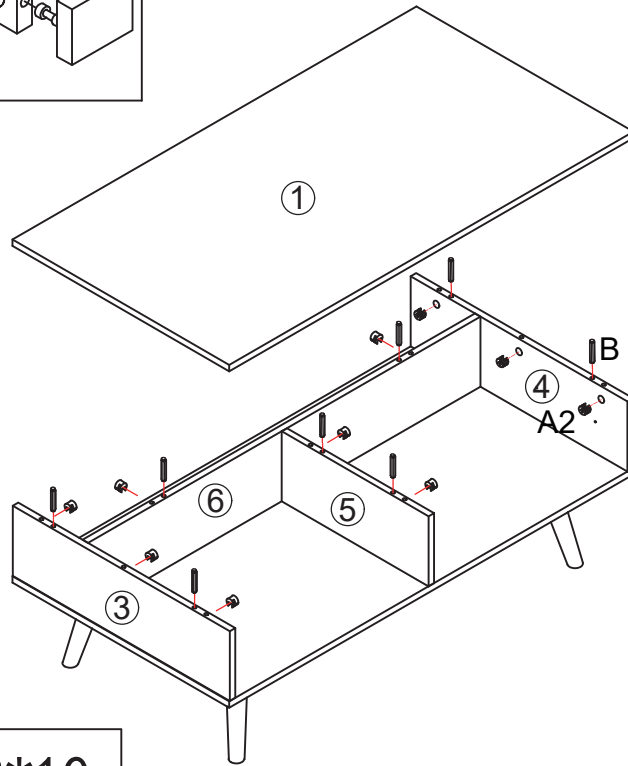
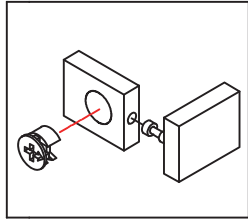




	D*20
	F*4
	G*4

# Assembly Instructions

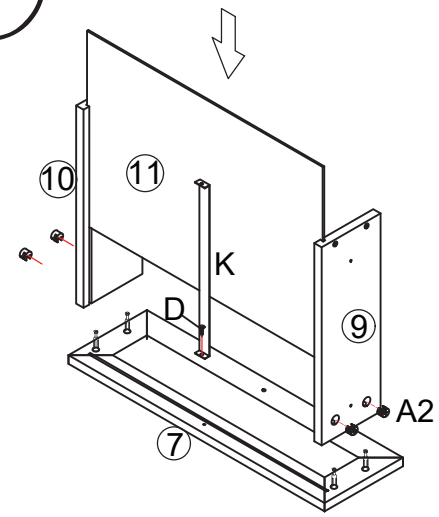
6




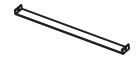
Make sure the arrow on the screw align to the hole on the side.

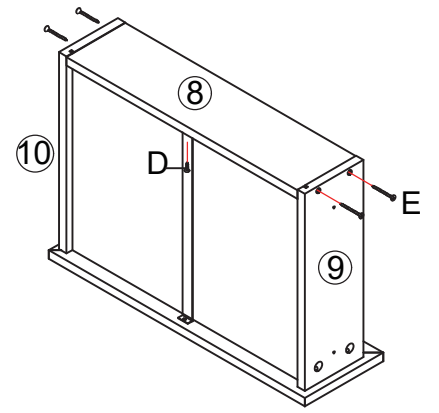


	A2*10
	B*8

7

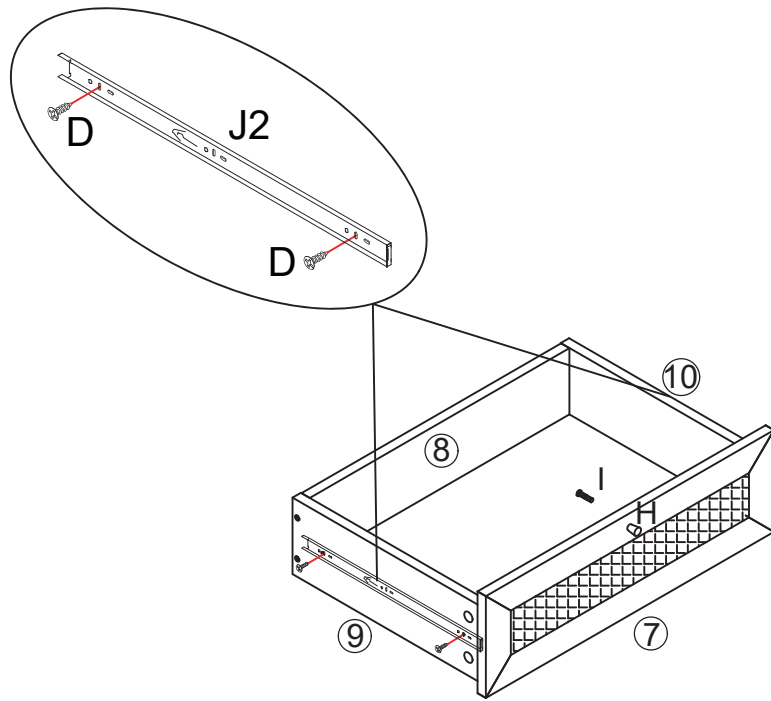


	A2*4
	E*4
	D*2
	K*1

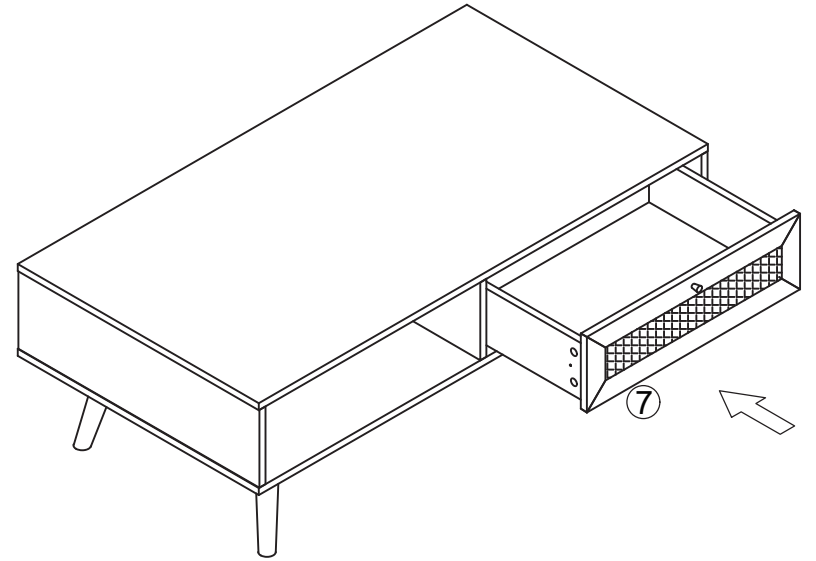






# Assembly Instructions

8



9



	D*4		H*1
	J2*1		I*1

# Assembly Instructions